

APEC

富鼎先進電子2022年法人座談會 2022 Investor Conference



Advanced Power Electronics Corp.

Your best power solution partner



免責聲明 Safe Harbor Notice

本資料及相關討論可能包含對於未來展望的表述。該類表述是基於現況所得的預期，可能受各種已知或未知風險及不確定性因素影響，而造成實際結果與陳述內容發生顯著不符使用者應自行判斷與承擔投資風險。

This presentation and discussions contain forward looking statements. These statements are based on current expectations and are subject to known and unknown risks and uncertainties. Actual results may differ materially from those expressed or implied by these forward looking statements. Except as required by law, we undertake no obligation to update any forward looking statement, whether as a result of new information, future events, or otherwise.



APEC

Advanced Power Electronics Corp.

Confidential Proprietary

公司簡介 About APEC

- 設立於 1998 年
Established in 1998
- 在臺首位結合DMOS與IGBT製程，並獲得ISO9001及ISO14001認證之公司
First successfully integrated in DMOS and IGBT process in Taiwan with ISO9001 and ISO14001 certificate
- 提供MOSFET、IGBT和電源IC電源管理之解決方案
Provide solutions for power requirements in MOSFET, IGBT, and Power IC
- 在臺灣證券交易所掛牌，證券代碼8261
Listed on Taiwan Stock Exchange (TWSE) under ticker number 8261
- 實收資本額為新台幣11.6億
Capital: TWD 116M



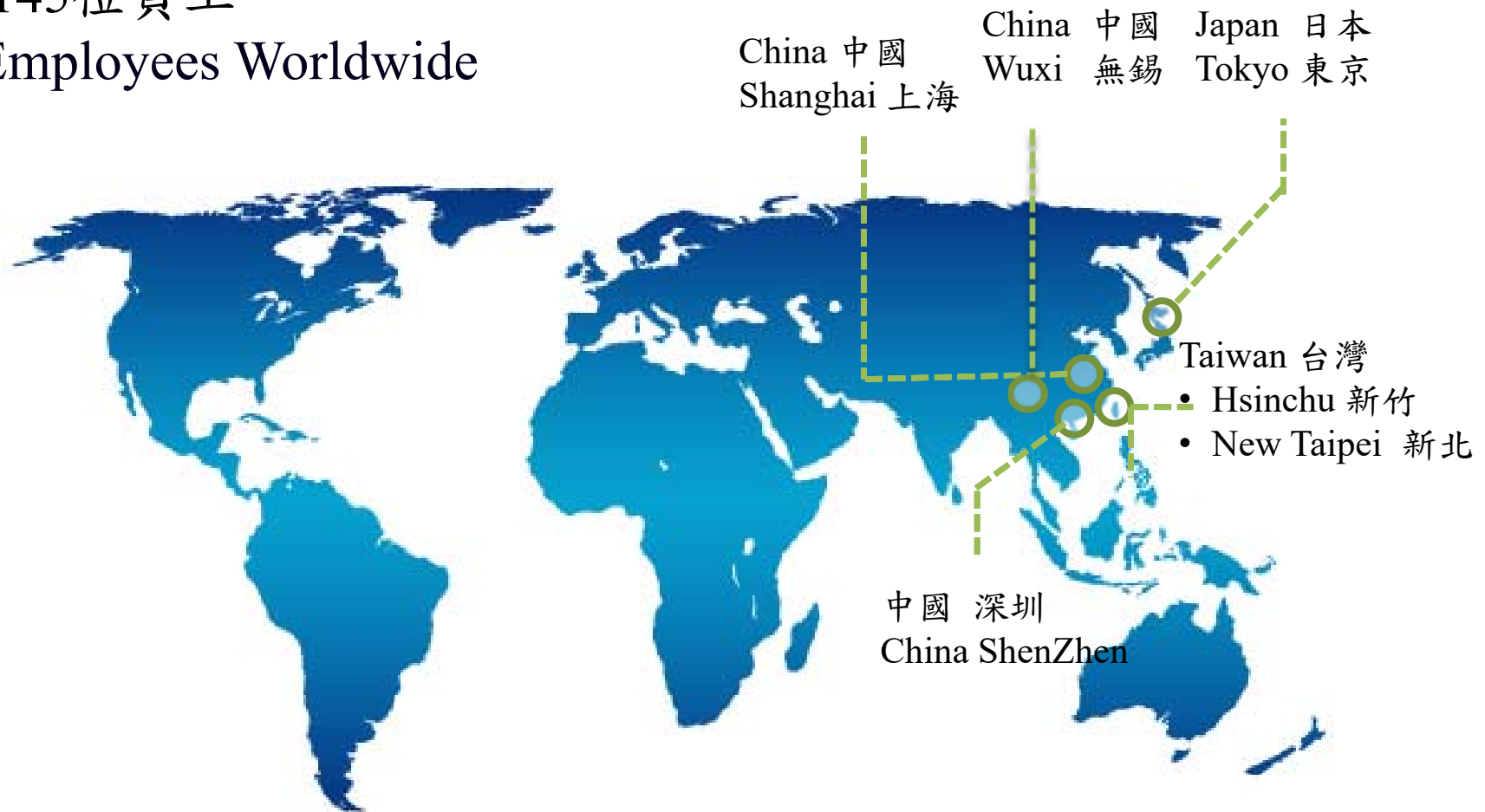
Advanced Power Electronics Corp.



Confidential Proprietary

全球行銷據點 Location & Sales Support

全球145位員工
145 Employees Worldwide



- 總公司位於台灣
- Headquartered in Taiwan

- 區域辦公室：中國/日本
- Regional offices: China / Japan



APEC

Advanced Power Electronics Corp.

Confidential Proprietary

供應鏈分佈 Supply Chain

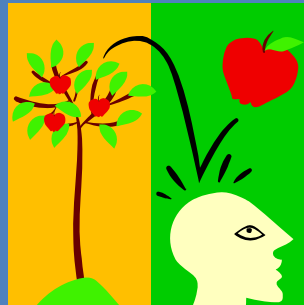
◆ 封測

● 晶片

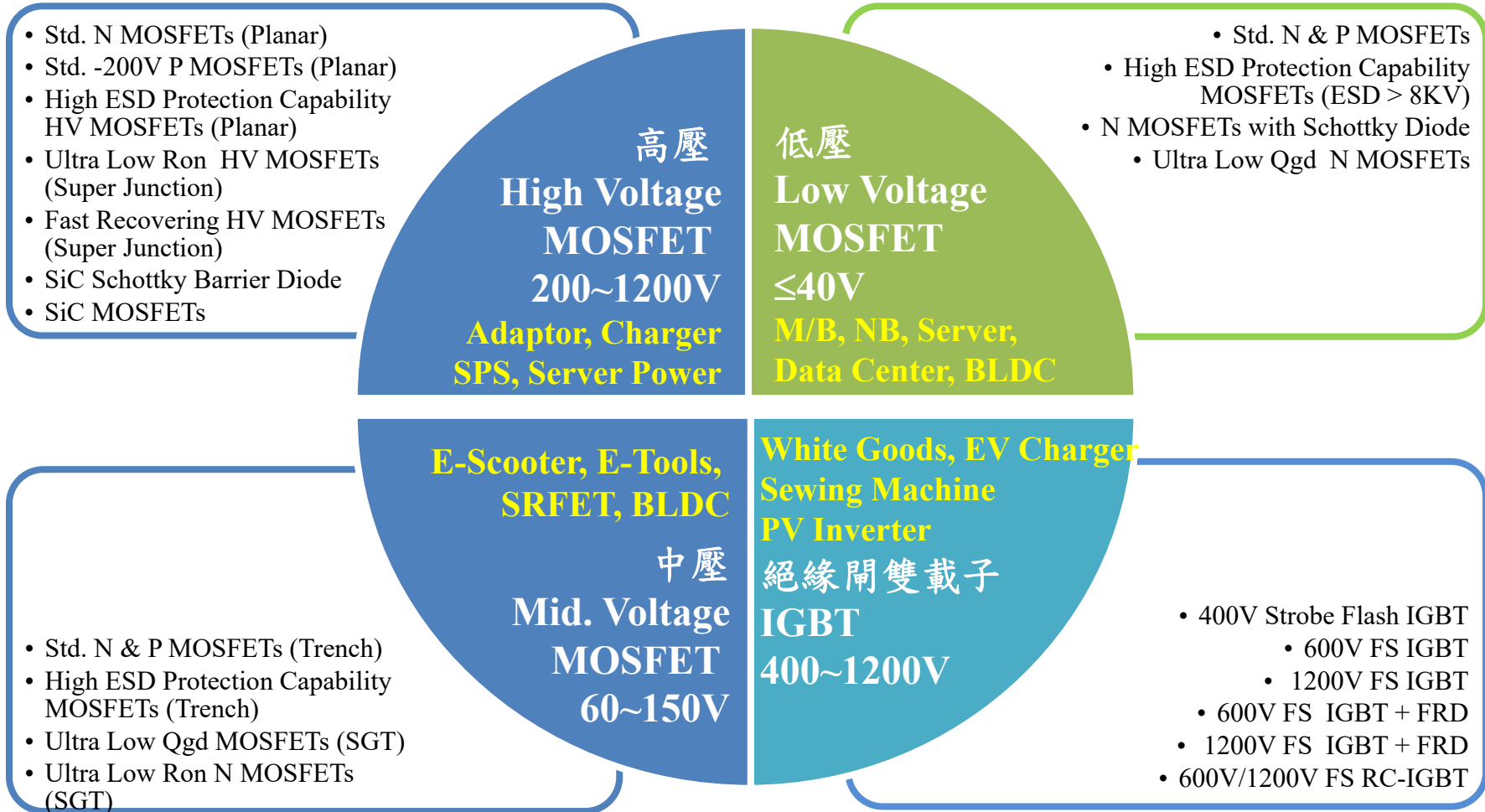


研發概況

Technology Overview



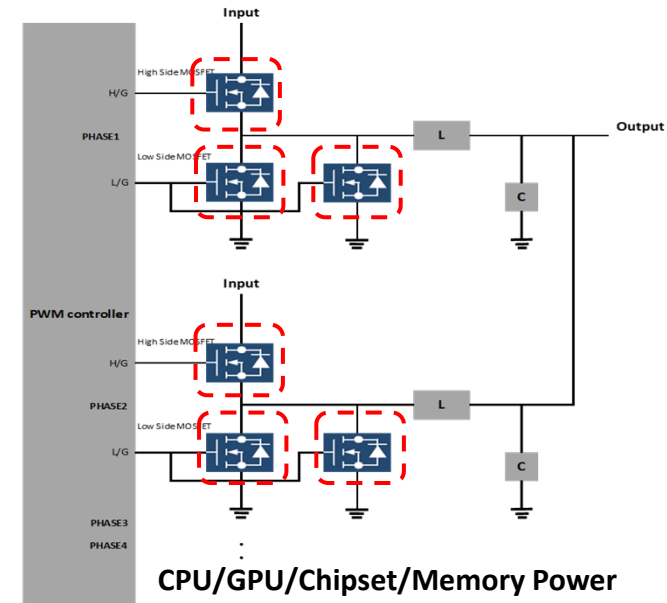
產品線 Product Overview



產品應用 Product Application

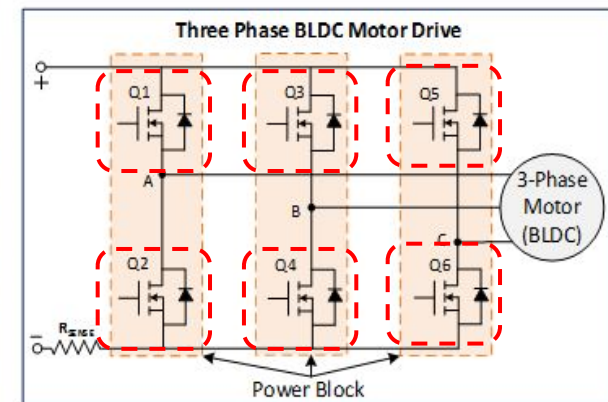
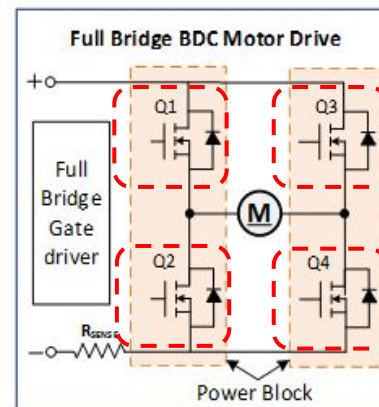
Personal Computer 個人電腦

主要應用: 桌上型電腦/Notebook/AIO/Gaming PC/POS



BLDC Motor 直流無刷馬達

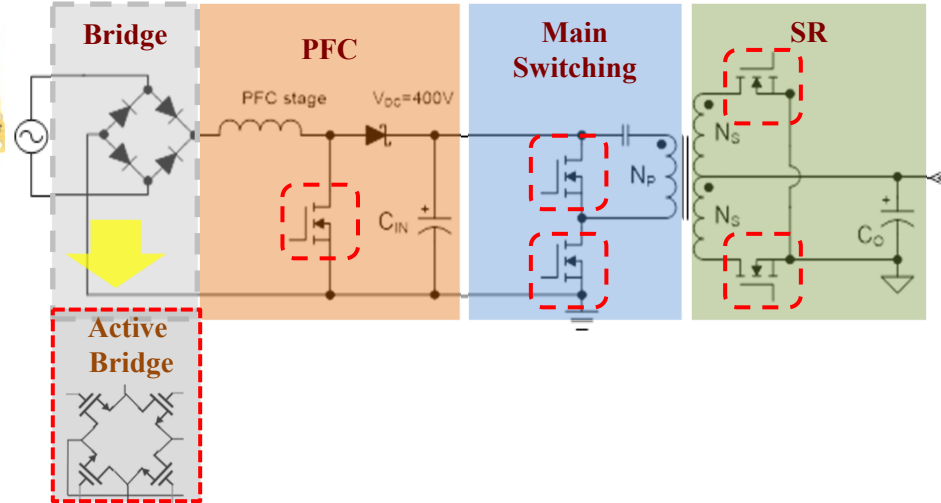
主要應用: 風扇/電動工具/無人機/掃地機/吸塵器/空調及家電



產品應用 Product Application

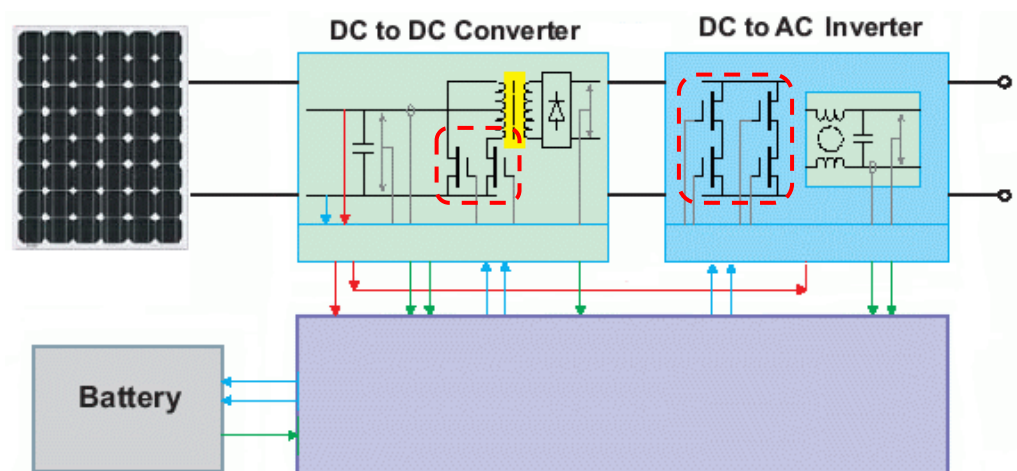
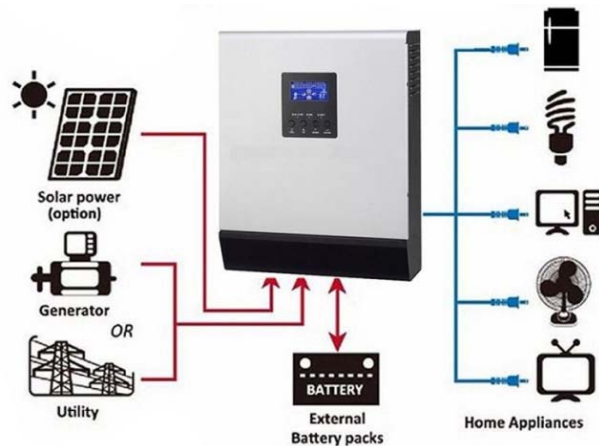
SMPS 切換式電源供應器

主要應用: Charger / Adaptor / PC Power Supply / Gaming Power Supply / Server Power Supply



Renewable Energy 新能源

主要應用: 再生能源儲能及供電系統



Converter/Inverter / BMS(電池管理系統)



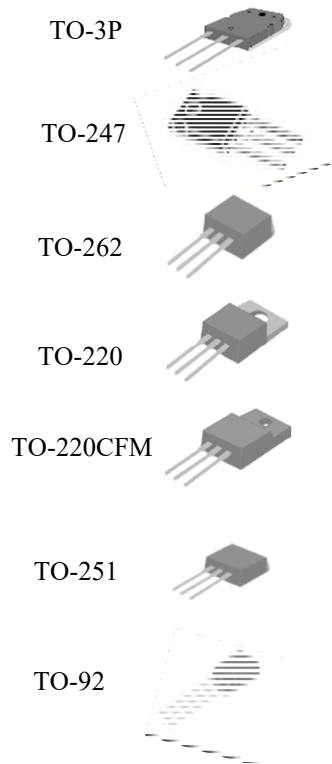
APEC

Advanced Power Electronics Corp.

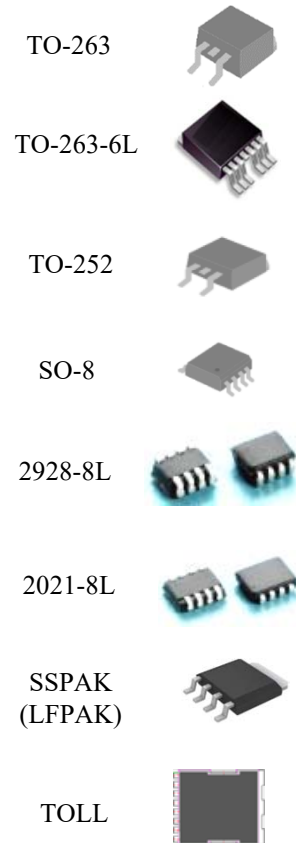
Confidential Proprietary

產品封裝型態 Power Discrete Package List

THP



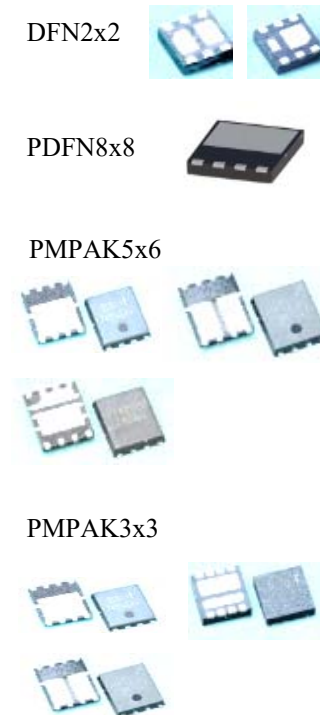
SMD



SMD



Leadless



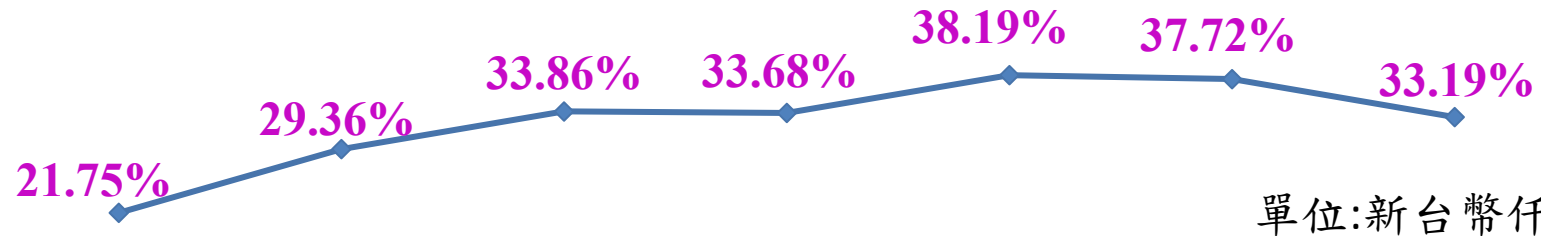
重要財務指標 Balance Sheets & Key Indices

單位:新台幣千元

資產負債表項目 Selected Items from Balance Sheets	3Q22		2Q22		1Q22		4Q21	
	金額 Amount	%	金額 Amount	%	金額 Amount	%	金額 Amount	%
現金及有價金融商品投資 Cash & Marketable Securities	3,320,855	51%	3,376,649	52%	960,120	25%	738,604	20%
應收款項 Accounts Receivable	920,724	14%	1,097,323	17%	1,052,833	27%	1,011,698	29%
存貨 Inventories	947,282	14%	772,477	12%	647,802	17%	599,180	17%
非流動金融資產 Non-current financial assets	202,410	3%	99,707	1%	103,973	3%	461,824	13%
不動產、廠房及設備 Net PP&E	435,567	7%	430,736	7%	431,956	11%	434,909	12%
資產總計 Total Assets	6,542,271	100%	6,474,958	100%	3,874,571	100%	3,573,652	100%
流動負債 Current Liabilities	1,027,881	16%	1,168,420	18%	1,255,502	32%	1,236,270	34%
負債總計 Total Liabilities	1,129,942	17%	1,306,320	20%	1,391,795	36%	1,366,224	38%
股東權益總計 Total Shareholders' Equity	5,412,329	83%	5,168,638	80%	2,482,776	64%	2,207,428	62%
重要財務指標 Key Indices								
平均收現日數 A/R Turnover Days	98		83		84		76	
平均銷貨日數 Inventory Turnover Days	116		86		81		82	
流動比率(倍) Current Ratio (x)	5.15		4.57		2.19		1.94	

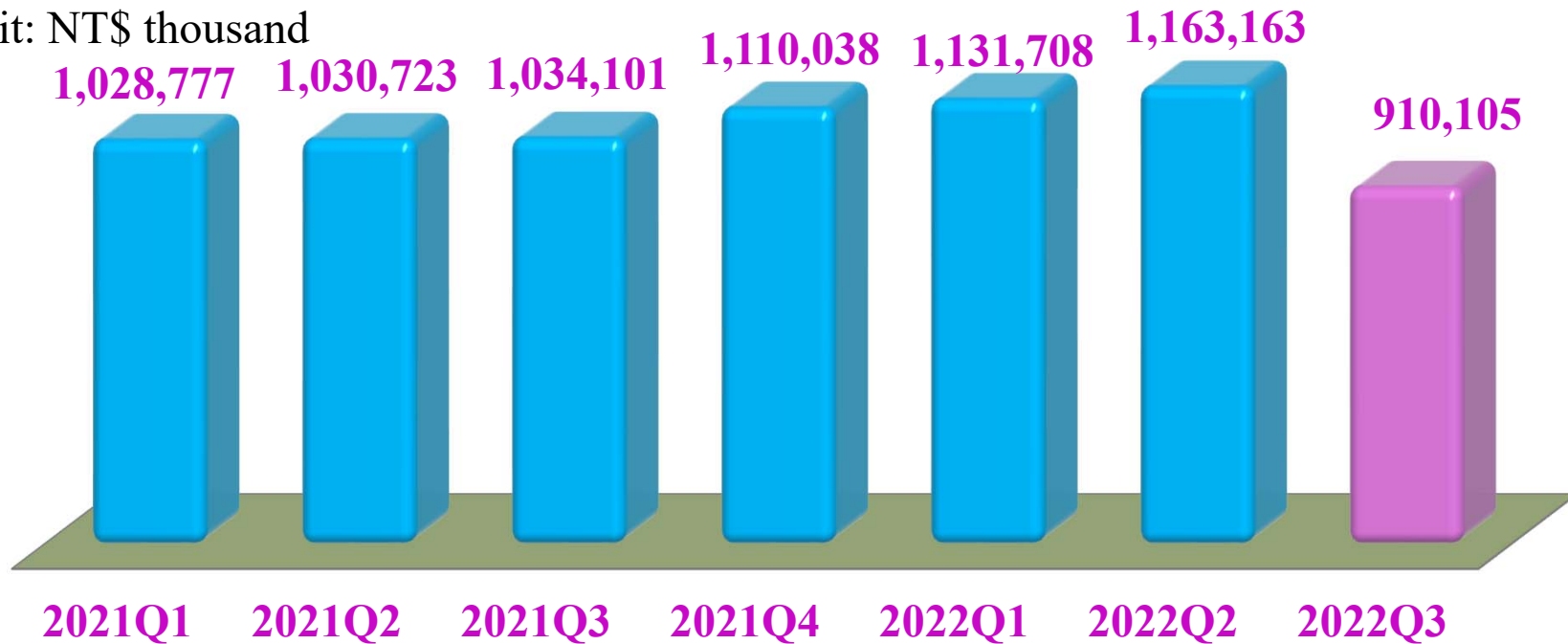
合併營收 Sales Revenues

◆ 毛利率 Gross Margin %



單位:新台幣仟元

Unit: NT\$ thousand

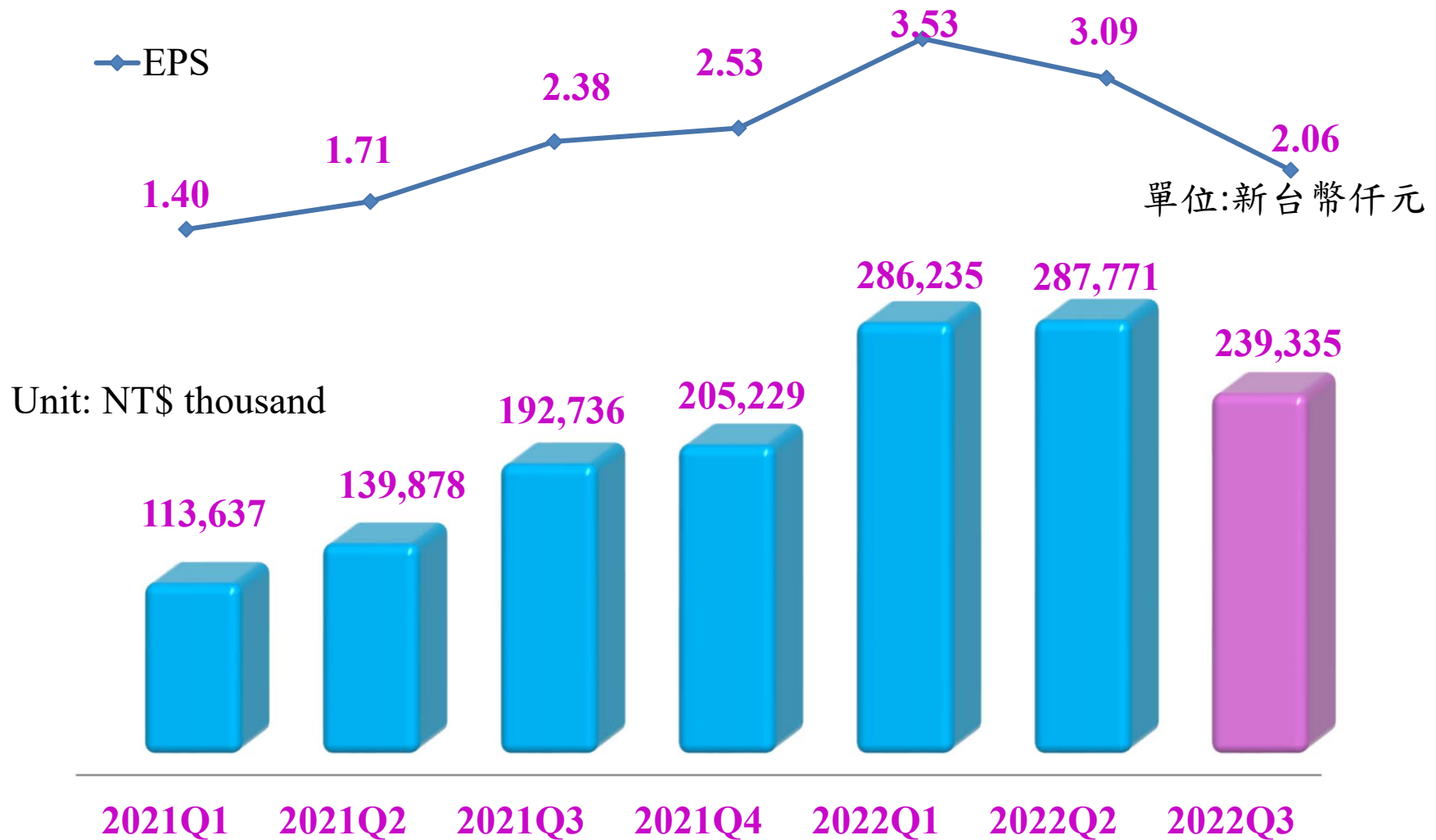


APEC

Advanced Power Electronics Corp.

Confidential Proprietary

合併稅後淨利及每股盈餘 Net Profit and EPS



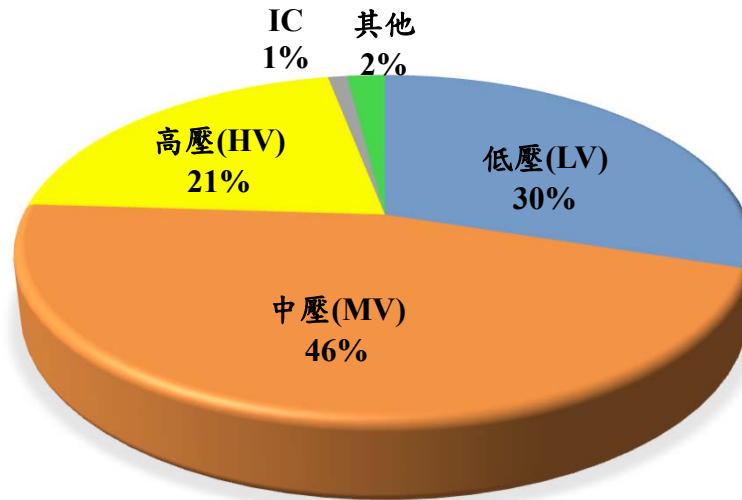
APEC

Advanced Power Electronics Corp.

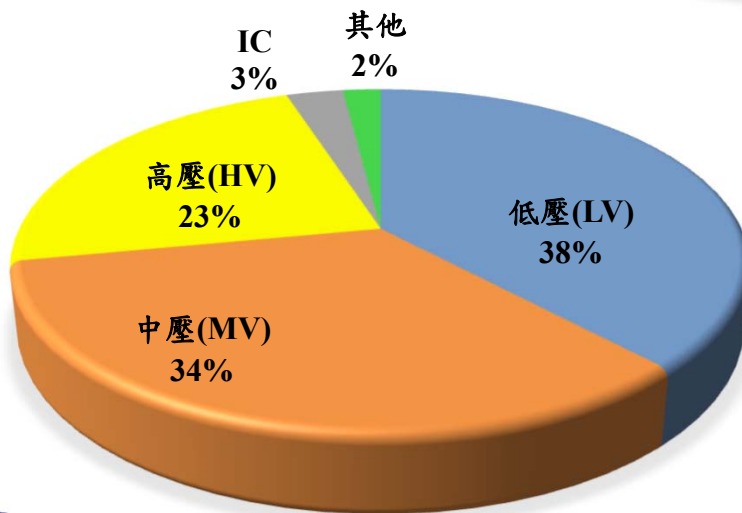
Confidential Proprietary

產品分類 Sales Revenues by Voltage

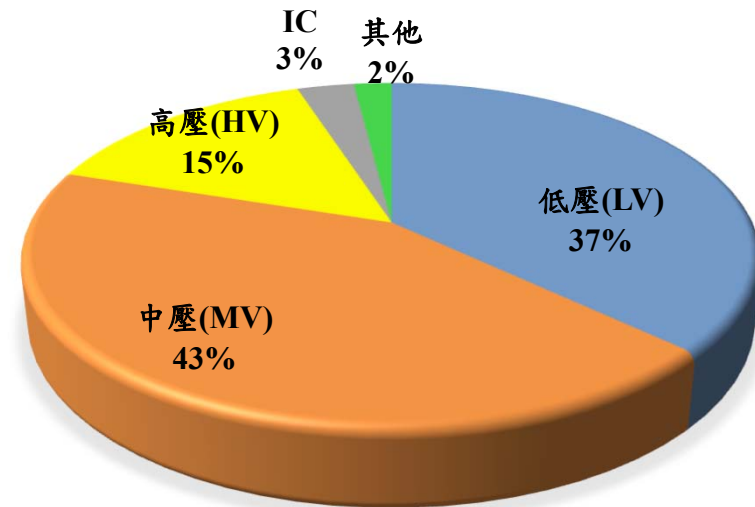
2022Q3



2022Q1



2022Q2

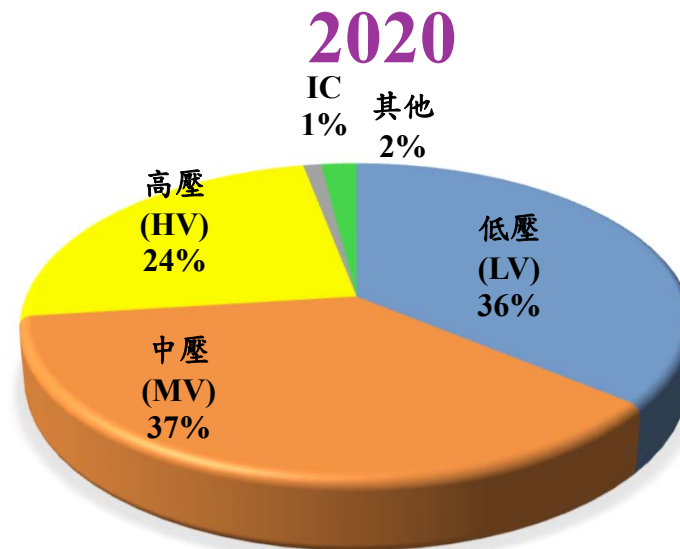
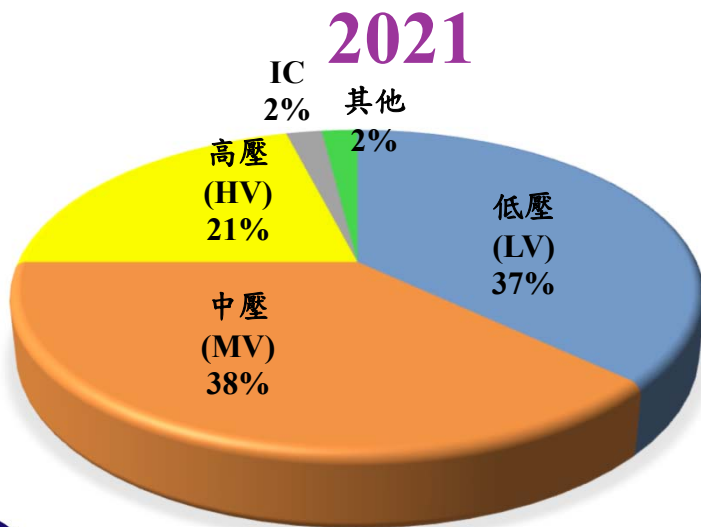
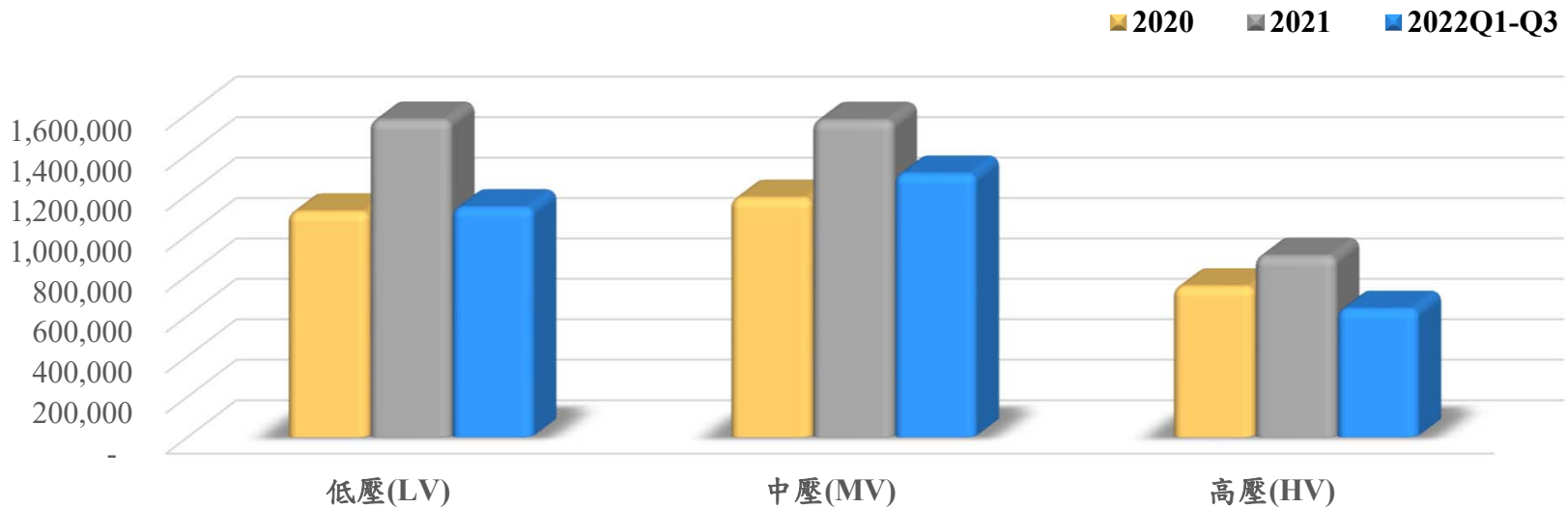


APEC

Advanced Power Electronics Corp.

Confidential Proprietary

產品分類 Sales Revenues by Voltage



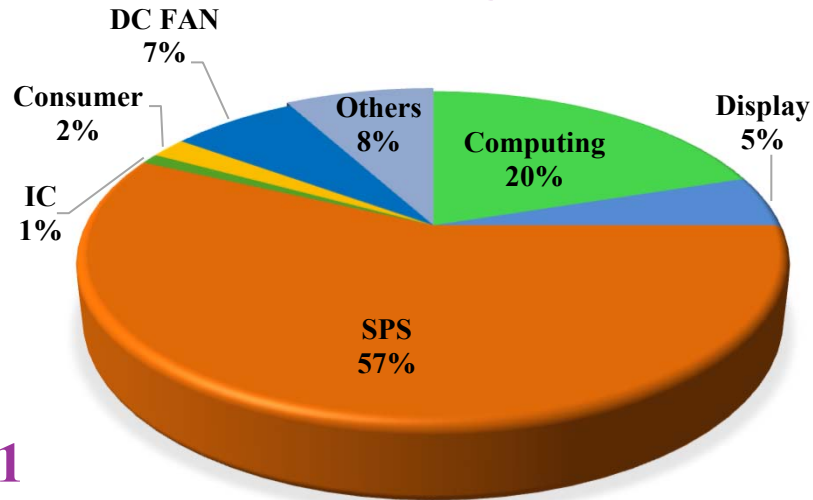
APEC

Advanced Power Electronics Corp.

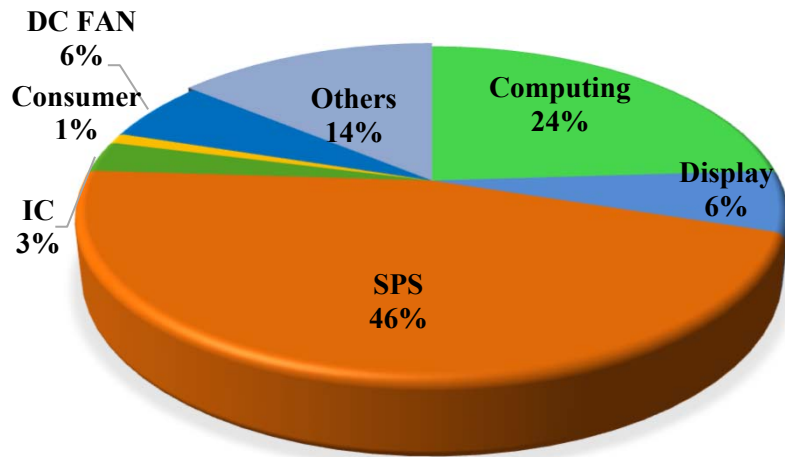
Confidential Proprietary

產品應用分類 Sales Revenues by Application

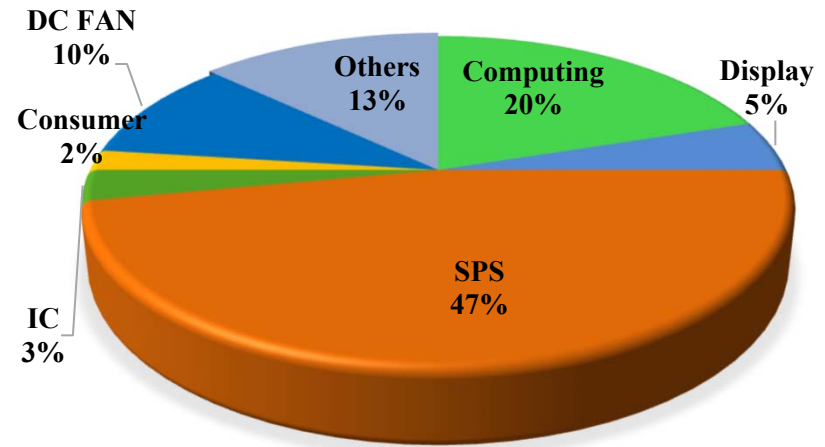
2022Q3



2022Q1



2022Q2

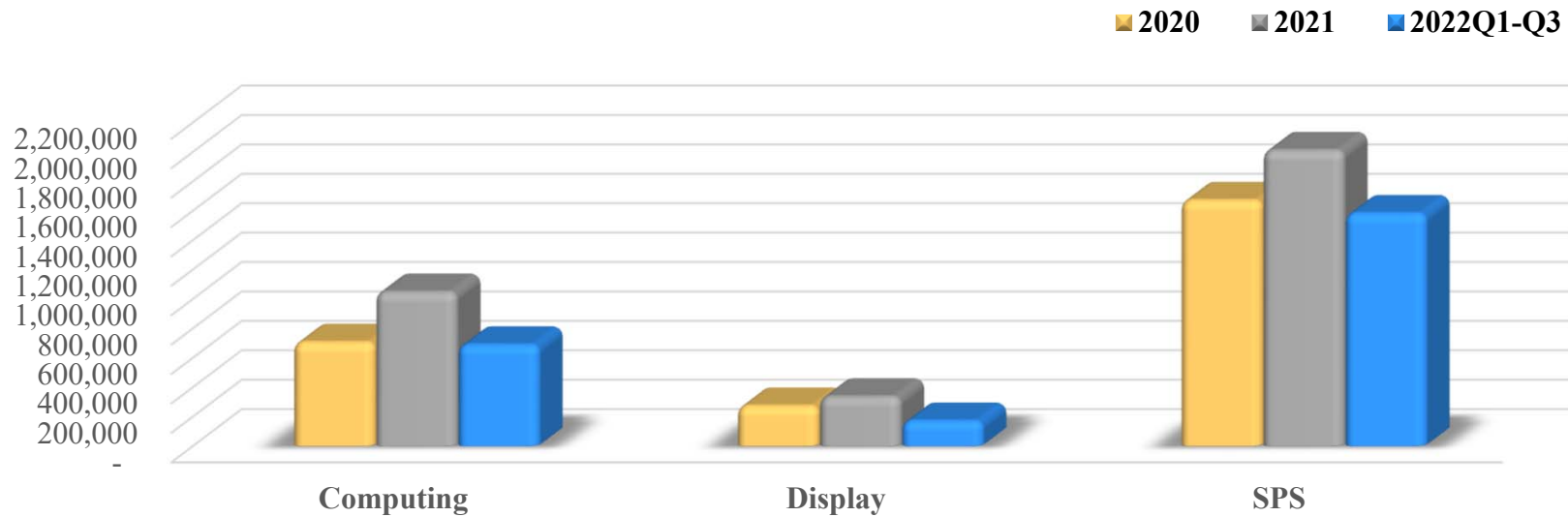


APEC

Advanced Power Electronics Corp.

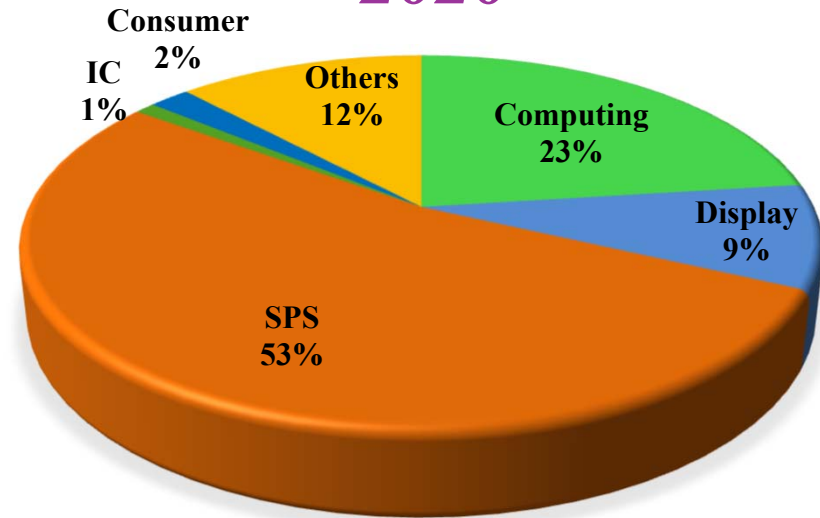
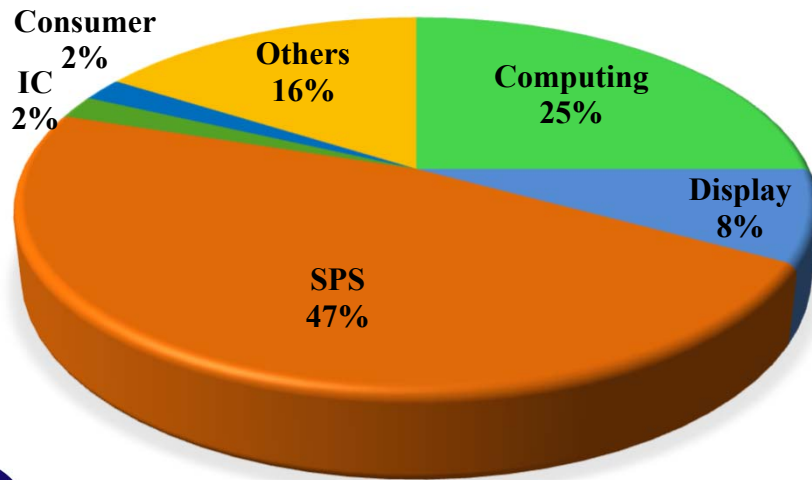
Confidential Proprietary

產品應用分類 Sales Revenues by Application



Computing
2021

SPS
2020



APEC

Advanced Power Electronics Corp.

Confidential Proprietary



問與答 Q&A

公司核心價值 APEC Core Values

Customer Trust

Customers come first.
Their success is our success

Superior Quality

Continuously improvement &
execution

Superior Service

Instant reaction, Flexibility

Proceed Technology excellent

It means more than new ideas from
customer, it means putting ideas into
practice.



APEC

Advanced Power Electronics Corp.

Confidential Proprietary

聯絡資訊 Contact us

發言人

姓名：黃林鍾

職稱：總經理

電話：(03)621-5899

Email：investinfo@a-power.com.tw

代理發言人

姓名：譚梅英

職稱：財務暨行政管理處副總經理

電話：(02)2697-1299

Email：investinfo@a-power.com.tw



APEC

Advanced Power Electronics Corp.

Confidential Proprietary

聯絡資訊 Contact us

Headquarter 總公司

Address : 30265 新竹縣竹北市台元一街5號12樓之1
及12樓之2 (12F-1 & 2, No.5, Taiyuan 1st ST., Zhubei
City, Hsinchu County, 30265, Taiwan, R.O.C)

Tel : 886-3-621-5899

Fax : 886-3-621-5999

New Taipei Office 新北辦公室

Address : 221416 新北市汐止區新台五路一段95號17
樓之8 (17F.-8, No.95, Sec. 1, Xintai 5th Rd. Xizhi Dist.,
New Taipei, Taiwan, 221416)

Tel : 886-2-2697-1299

Fax : 886-2-2697-1266





THANK YOU

Your Best **Power** Solution Partner.



APEC

Advanced Power Electronics Corp.

Confidential Proprietary